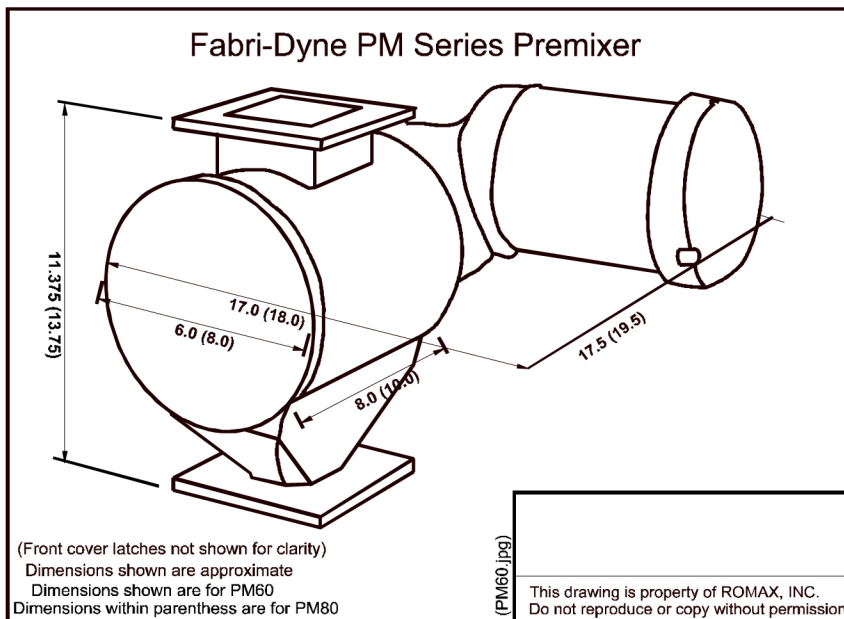




Fabri-Dyne “PM” Series Premixers U. S. Patent No. 6,050,721

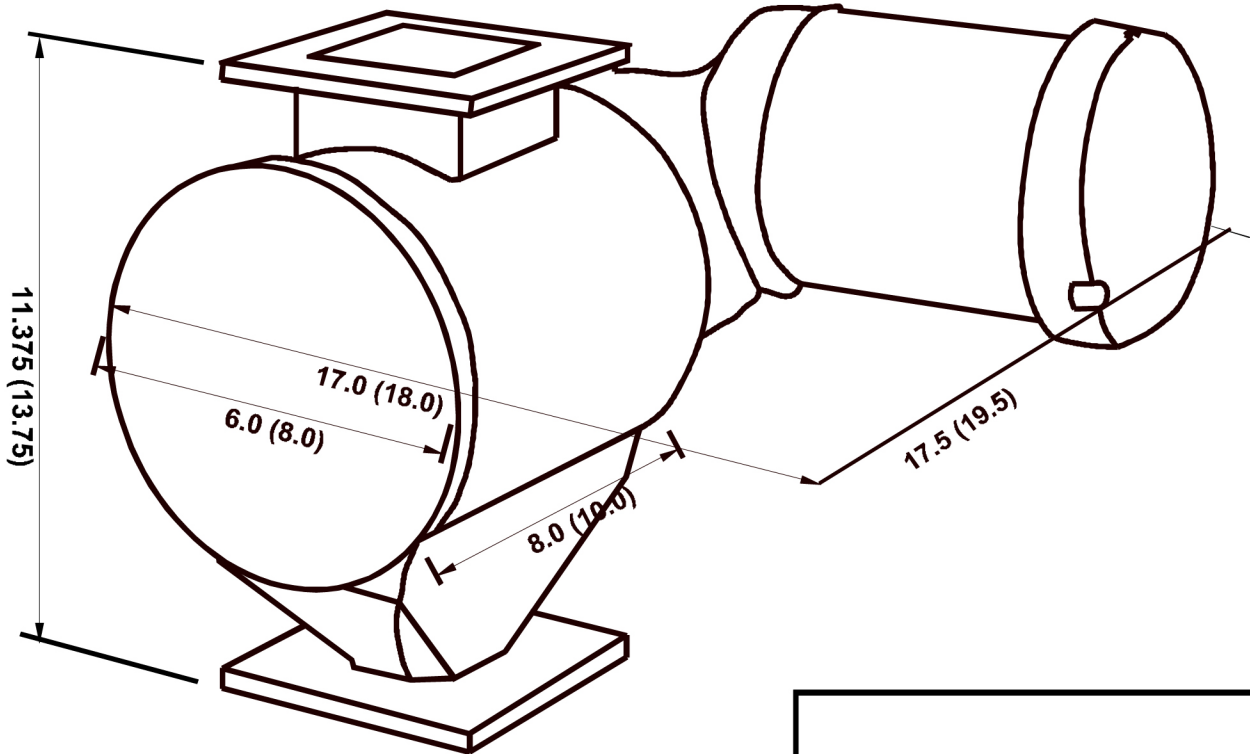
These premixers are made from the highest quality materials and custom-constructed of stainless steel for the absolute best performance. They include features not found in competitors’ models including:

- | | |
|---|--|
| <ol style="list-style-type: none"> 1. Consistent thorough mixing 2. Durable maintenance-free design 3. Quick and easy cleaning 4. Custom inlet and outlet flanges | <ol style="list-style-type: none"> 5. Single or three-phase motors available 6. Stainless steel construction 7. Liquid color port and thermocouple well options |
|---|--|



	PM60	PM80
Inlet -- Maximum	2.75	3.75
Outlet	2-3" Rd.	3-4" Rd.
Top/bottom flange Min	5 X 5	6 X 6 min
Top/Bottom flange Max	8 X 8	10 X 10
Motor type	single or three-phase	
Horse power	1 HP	1.5 HP
Voltage	110/220 VAC or 230/460 VAC	
Chamber Dimension	6 X 8	8 X 10
Material	304/316 Stainless steel	
Impeller shaft RPM	45	45
Approximate Chamber Volume in cubic feet	0.15	0.3
Approximate Capacity of PET in pounds	8	16

Fabri-Dyne PM Series Premixer



(Front cover latches not shown for clarity)

Dimensions shown are approximate

Dimensions shown are for PM60

Dimensions within parenthesis are for PM80

(PM60.jpg)

This drawing is property of ROMAX, INC.
Do not reproduce or copy without permission



FABRI-DYNE

